

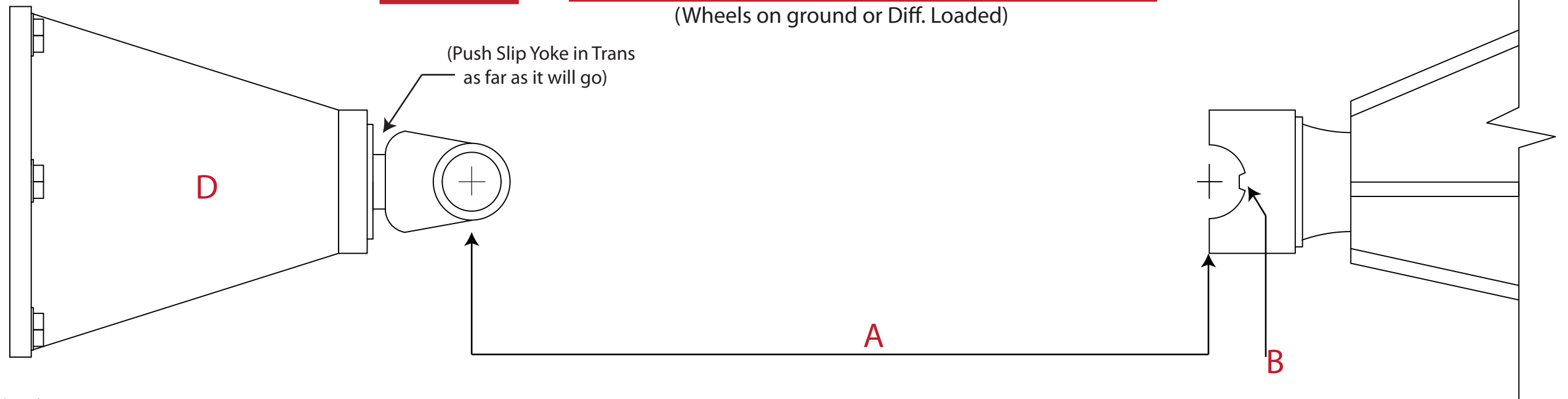
Mr.Driveshaft

MRD-3

NOTE

Vehicle MUST Be At Ride Hieght

(Wheels on ground or Diff. Loaded)



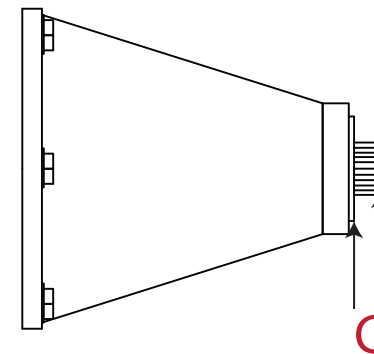
Vehicle Description _____

A Center To Center Length _____
(Slip yoke bottomed out in trans)

B Tabs? Y N

C Spline Out Past Seal Y N
How Long _____

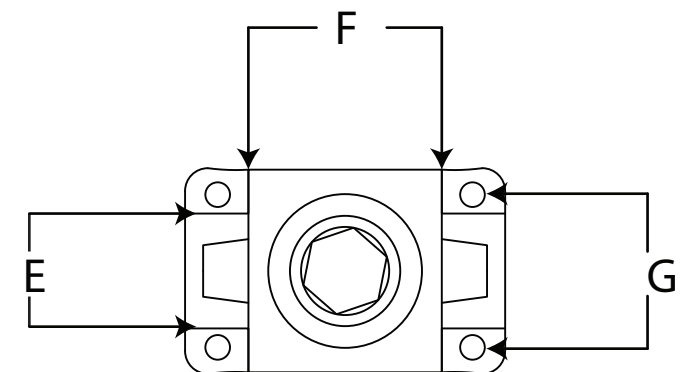
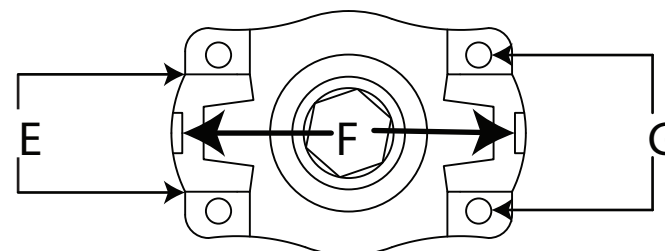
D Trans Type _____
Output Spline Count _____



_____ U-Joint Series if Known
 _____ E Cap Diamiter
 _____ F Lock Up Width
 _____ G Bolt Hole C to C

Tab Style

NON-Tab Style



Name _____

Phone # _____

Please Use Vehicle For All Measurements (Not Your Old Shaft)

Phone: 732-938-4118

Fax: 732-938-3545

www.mrdriveshaft.com

5134A WEST HURLEY POND ROAD
FARMINGDALE, NJ 07727