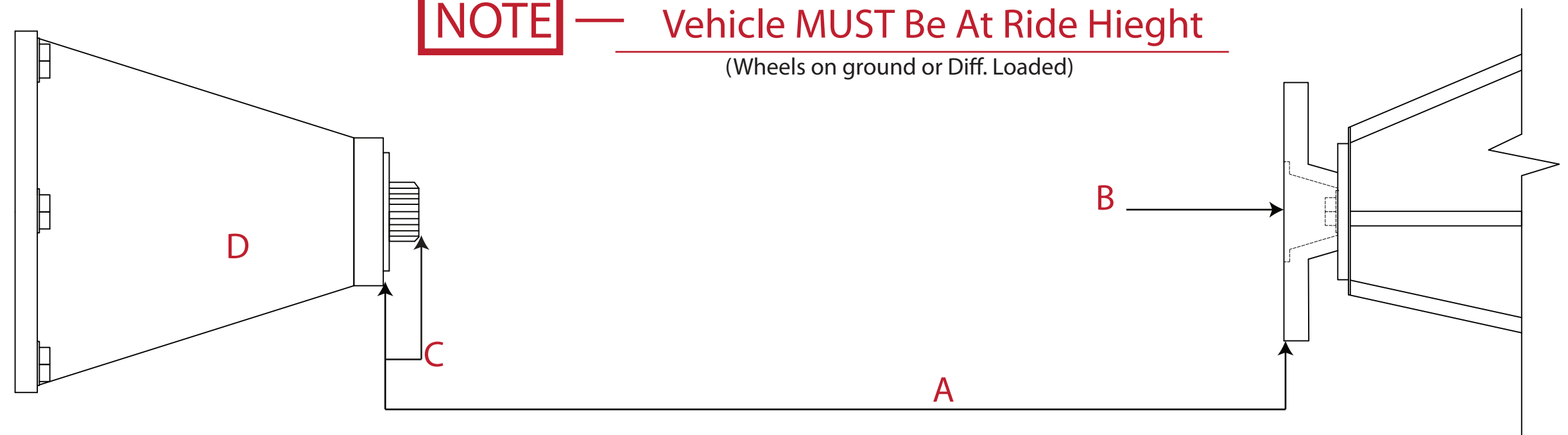


Mr.Driveshaft

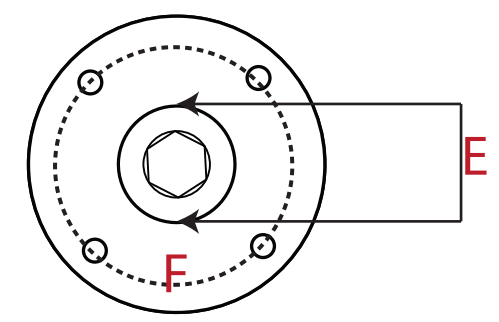
MRD-4

NOTE — Vehicle MUST Be At Ride Hieght
(Wheels on ground or Diff. Loaded)



Vehicle Description _____

- A** Seal To Flange Length _____
- B** Pilot Raised Recessed
- C** Spline Out Past Seal Y N
How Long _____
- D** Trans Type _____
Output Spline Count _____



U-Joint Series Desired _____

E Pilot Hole Diamiter _____

F Bolt Circle Diamiter _____

Name _____

Phone # _____

Please Use Vehicle For All Measurements (Not Your Old Shaft)

