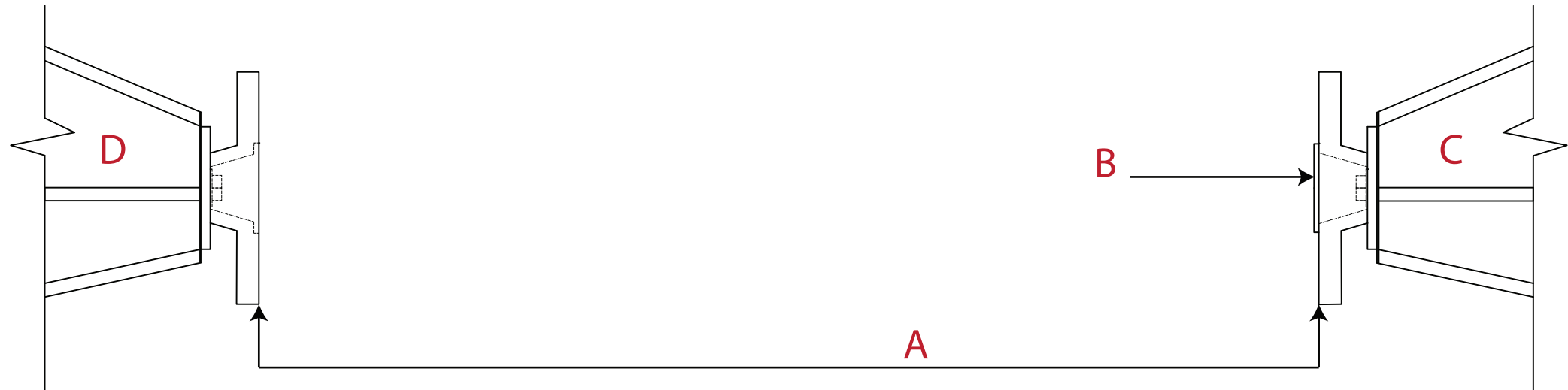


Mr.Driveshaft

MRD-5

NOTE — Vehicle MUST Be At Ride Hieght
(Wheels on ground or Diff. Loaded)



Vehicle Description _____

A Flange To Flange Length _____

B Pilot Trans Raised Recessed Pinion Raised Recessed

C Diff. Type _____

D Trans Type _____

Trans

Pinion

_____ U-Joint Series Desired _____

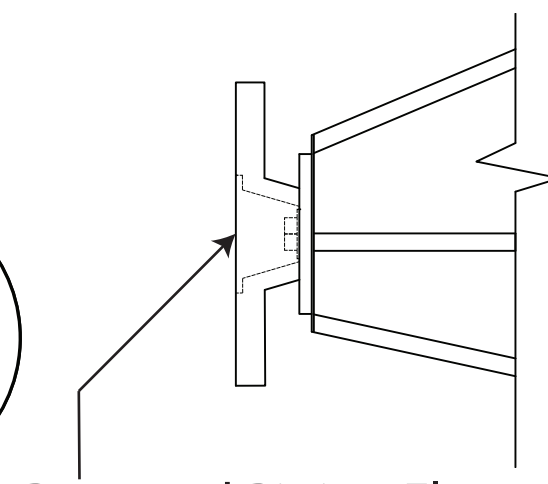
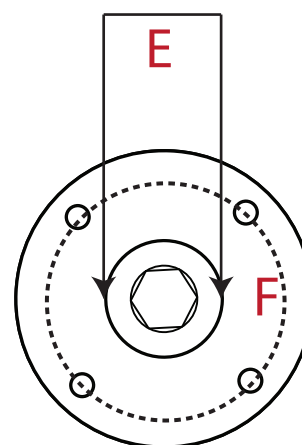
_____ **E** Pilot Hole Diamiter _____

_____ **F** Bolt Circle Diamiter _____

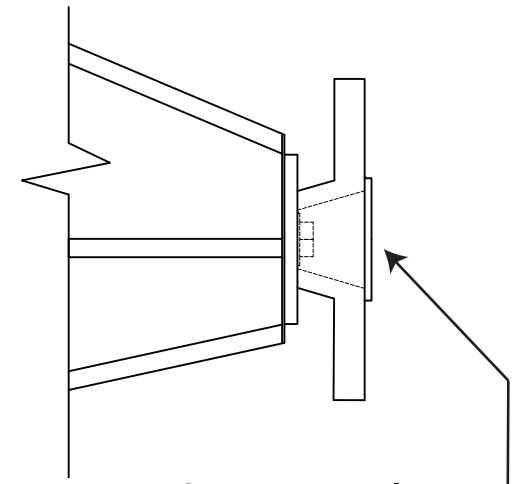
Name _____

Phone # _____

Please Use Vehicle For All Measurements (Not Your Old Shaft)



Recessed Pinion Flange



Raised Pinion Flange

Phone: 732-938-4118

Fax: 732-938-3545

www.mrdriveshaft.com

5134A WEST HURLEY POND ROAD
FARMINGDALE, NJ 07727