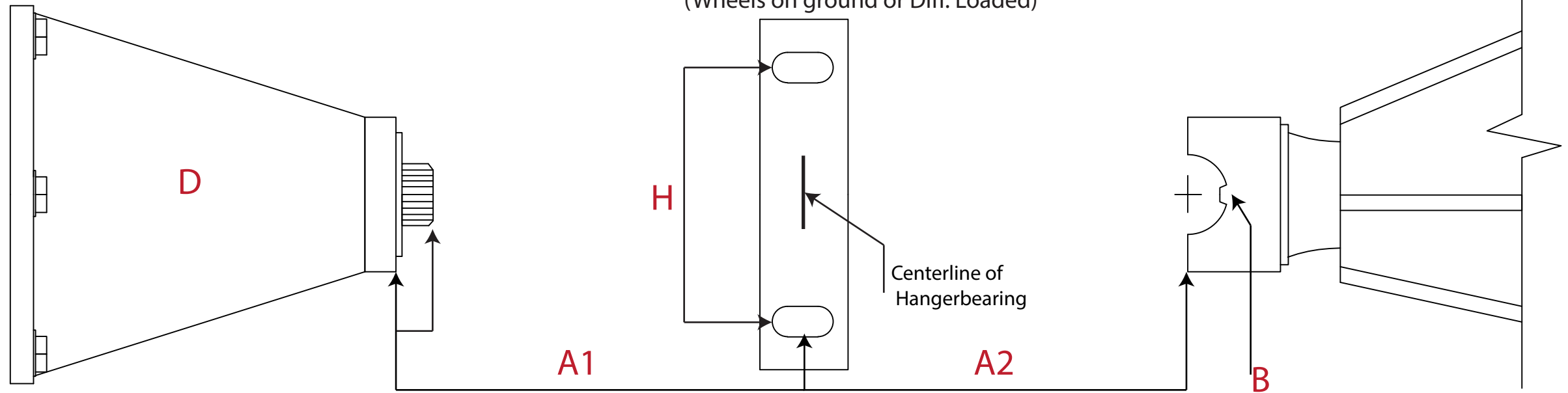


Mr.Driveshaft

MRD-7

NOTE — Vehicle MUST Be At Ride Hieght
(Wheels on ground or Diff. Loaded)



Vehicle Description _____

A1 Seal To Center of hanger Length _____

A2 Center of hanger To Center Length _____

B Tabs? Y N **H** Hanger Width _____

C Spline Out Past Seal Y N
How Long _____

D Trans Type _____
Output Spline Count _____

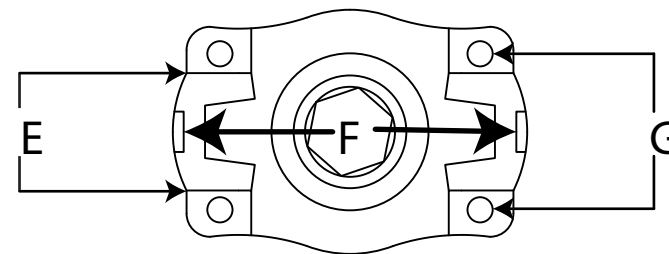
_____ U-Joint Series if Known
_____ E Cap Diamiter
_____ F Lock Up Width
_____ G Bolt Hole C to C

Name _____

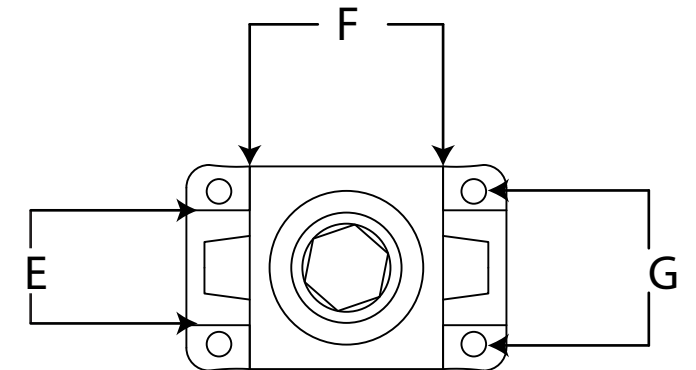
Phone # _____

Please Use Vehicle For All Measurements (Not Your Old Shaft)

Tab Style



NON-Tab Style



Phone: 732-938-4118

Fax: 732-938-3545

www.mrdriveshaft.com

5134A WEST HURLEY POND ROAD
FARMINGDALE, NJ 07727