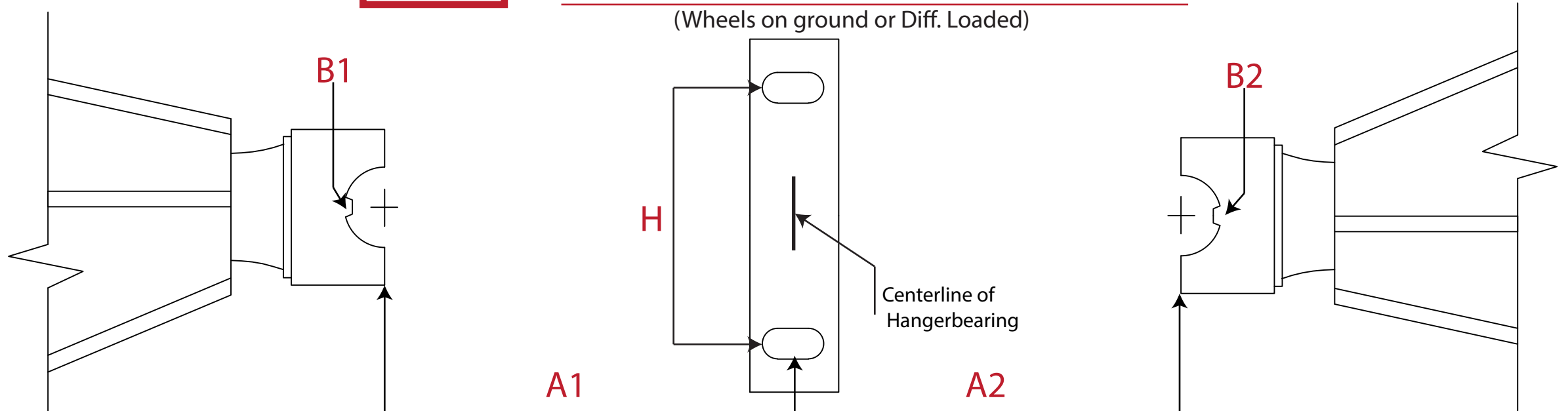


# Mr.Driveshaft

**MRD-9**

**NOTE** — Vehicle MUST Be At Ride Hieght  
(Wheels on ground or Diff. Loaded)



Vehicle Description \_\_\_\_\_

**A1** Center To Center of hanger Length \_\_\_\_\_

**A2** Center of hanger To Center Length \_\_\_\_\_

**B1** Tabs? Y N    **B2** Tabs? Y N

**C** Spline Out Past Seal Y N  
How Long \_\_\_\_\_

**H** Hanger Width \_\_\_\_\_

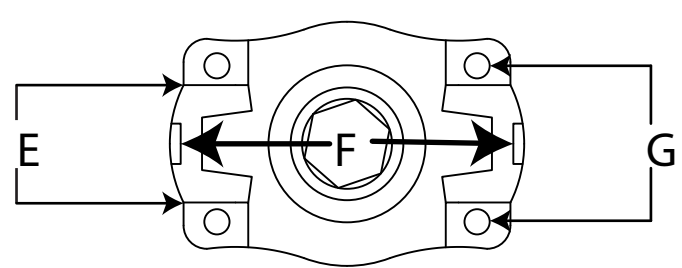
Front		Rear
_____	U-Joint Series if Known	_____
_____	E Cap Diamiter	_____
_____	F Lock Up Width	_____
_____	G Bolt Hole C to C	_____

Name \_\_\_\_\_

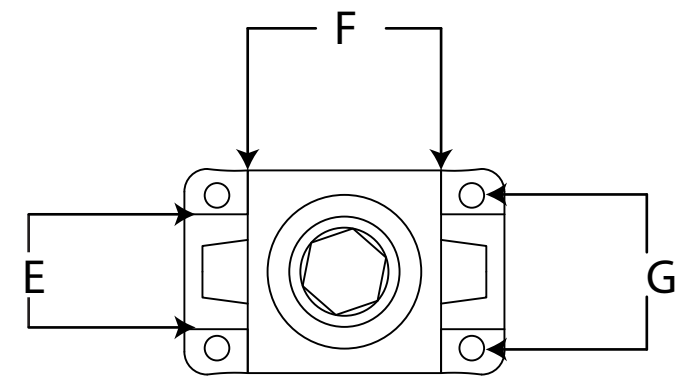
Phone # \_\_\_\_\_

Please Use Vehicle For All Measurements (Not Your Old Shaft)

Tab Style



NON-Tab Style



Phone: 732-938-4118

Fax: 732-938-3545

[www.mrdriveshaft.com](http://www.mrdriveshaft.com)

5134A WEST HURLEY POND ROAD

FARMINGDALE, NJ 07727